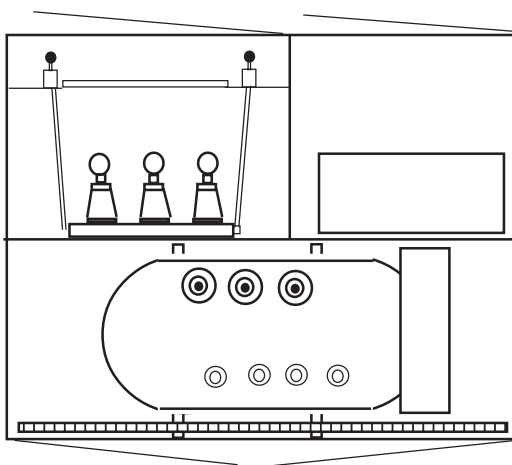
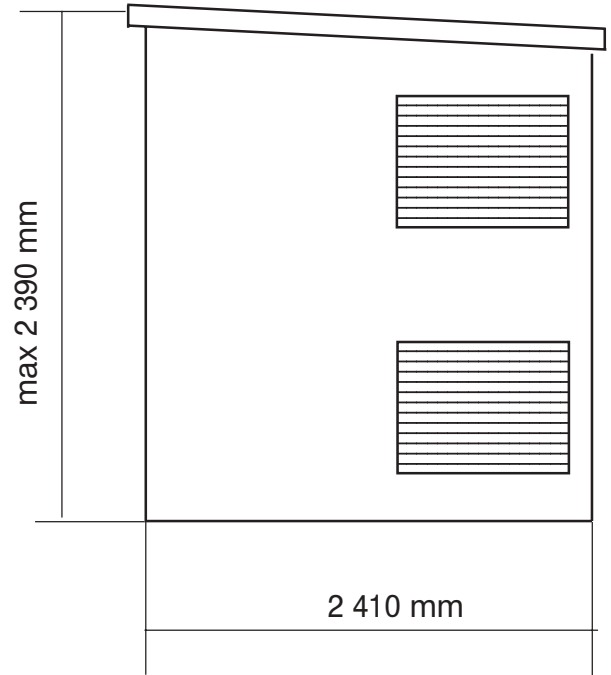
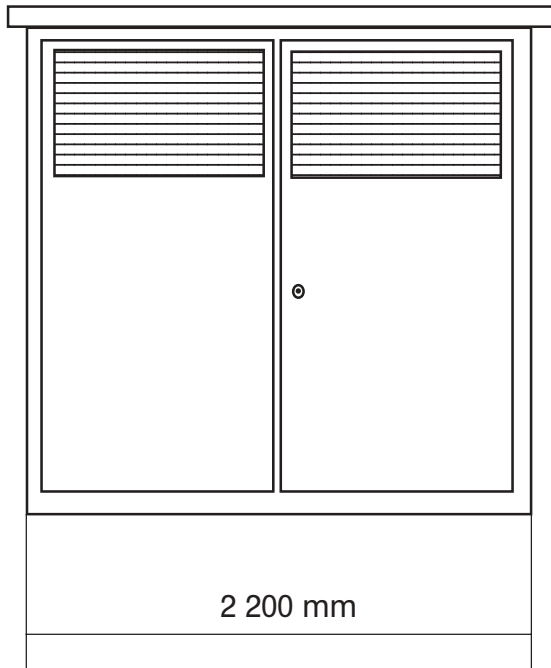


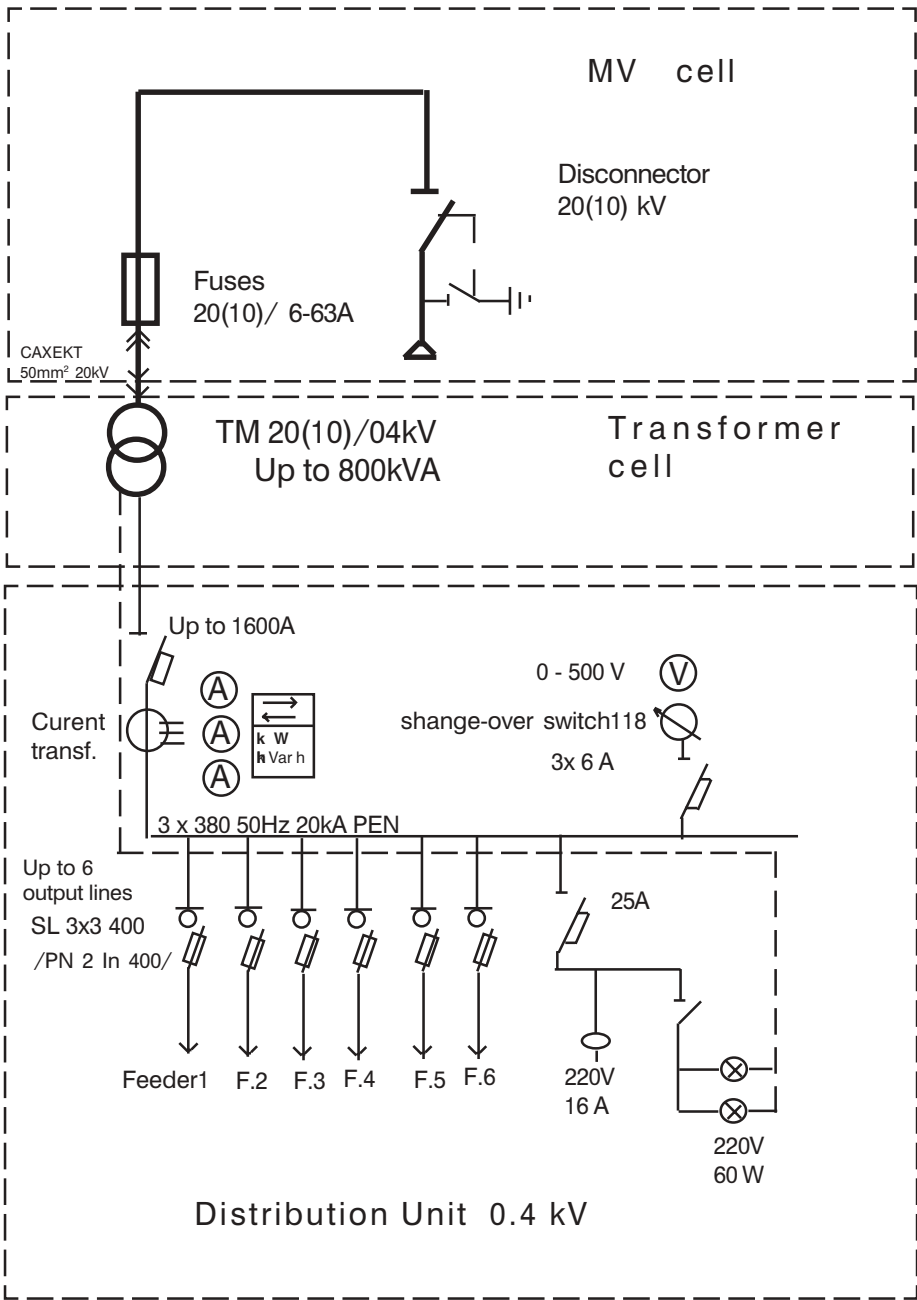
## Distribution Substation PK 20(10)kV / up to 800 kVA



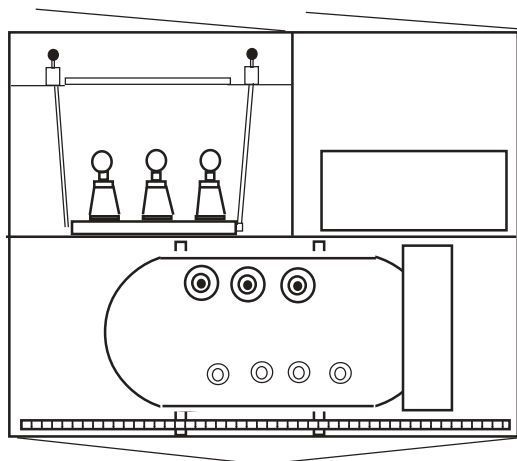
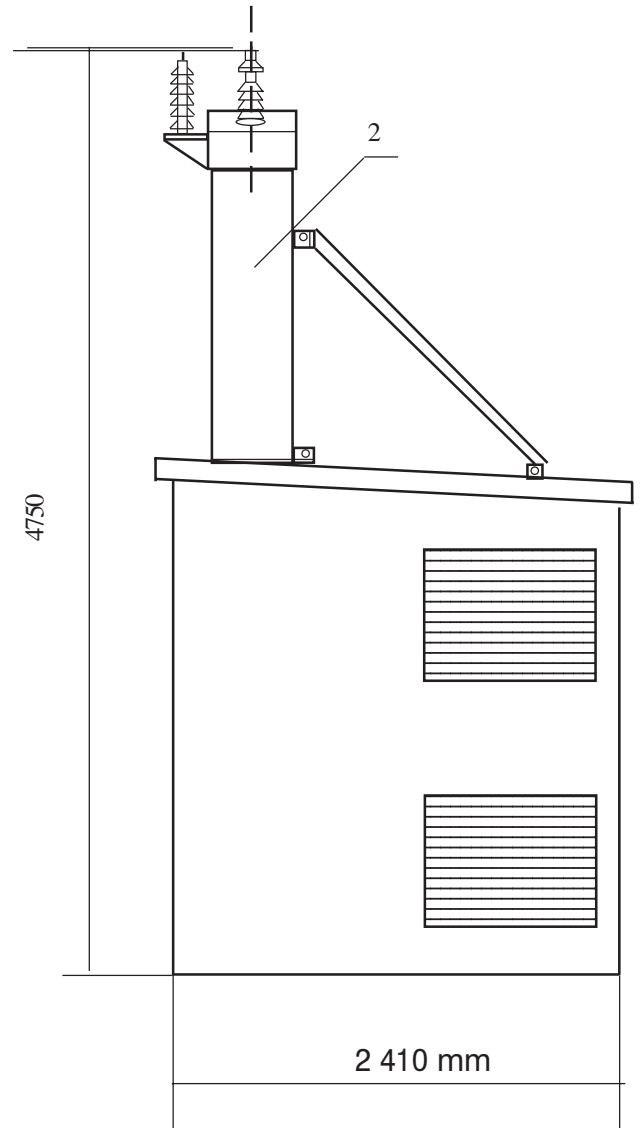
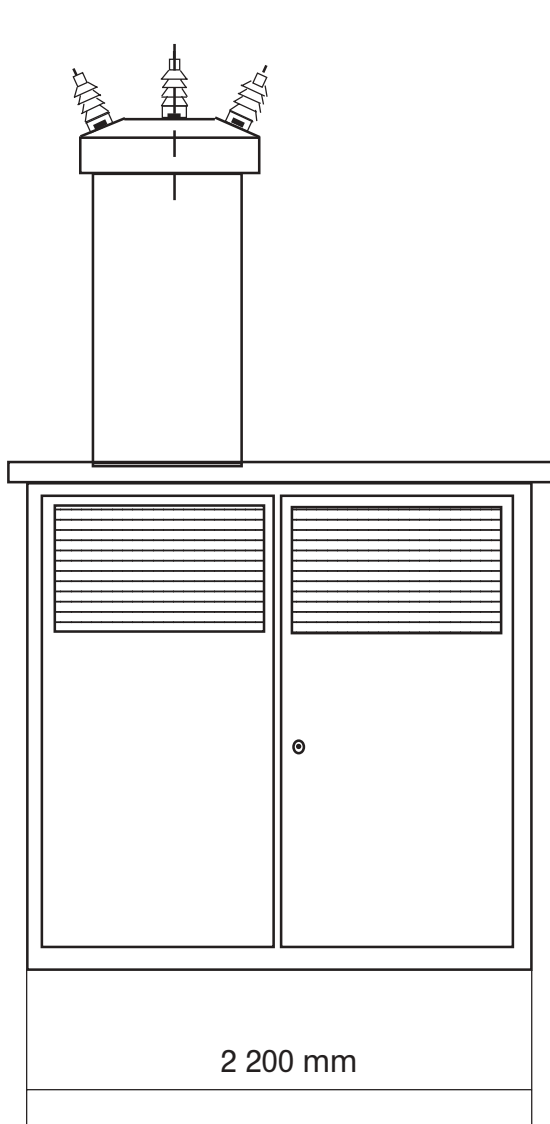
1. Transformer Section  
Power Oil Transformer  
TM 20(10)/0,4kV- up to 800kVA
2. Табло НН- 0,4/0,231kV
3. MV Section  
Disconnecter with fuses

**Area- 5,31 sq.m.**

Distribution Substation PK 20(10)kV / up to 800 kVA  
 Sample Single Line Diagram



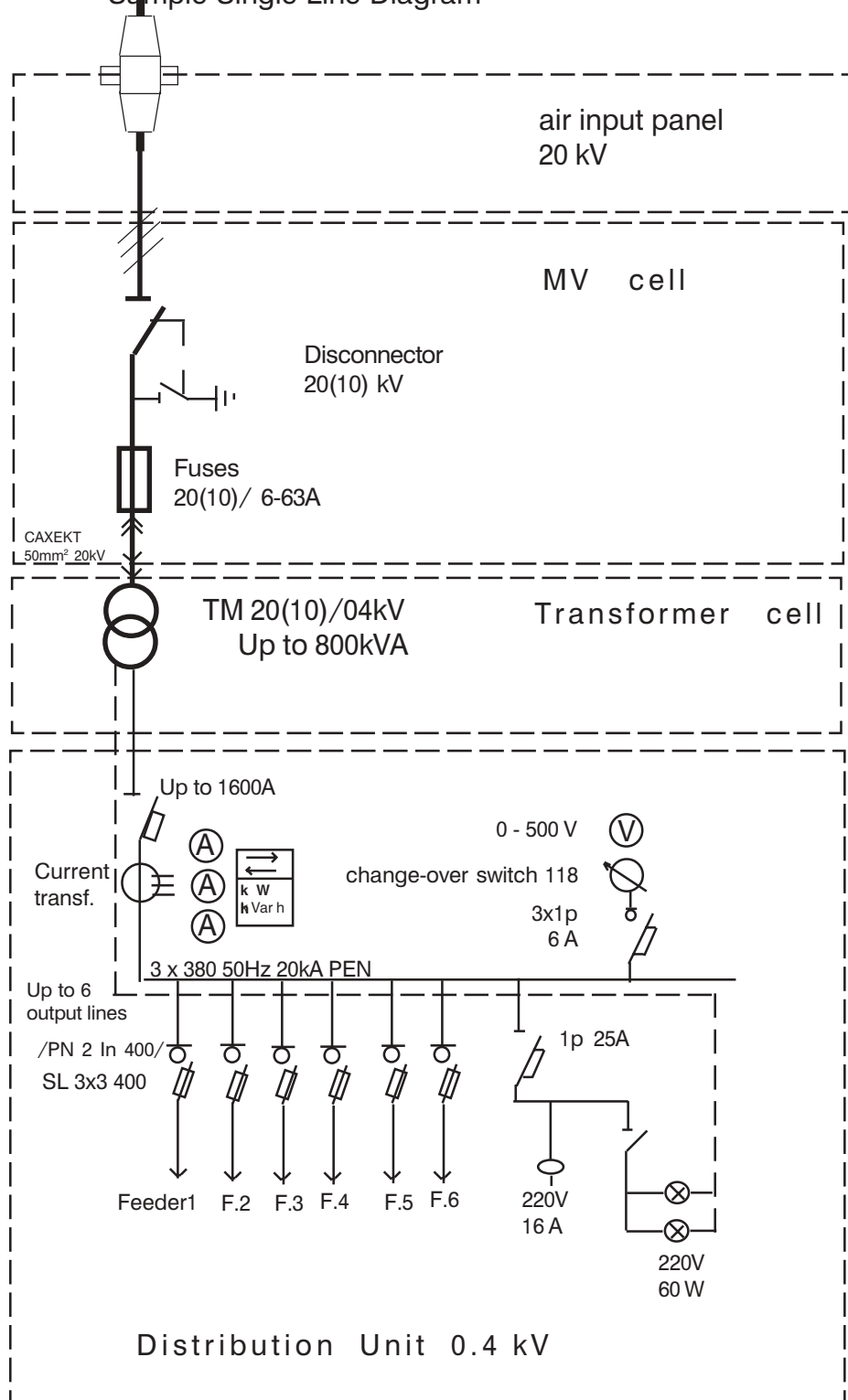
## Distribution Substation PKv 20(10)kV /up to 800 kVA



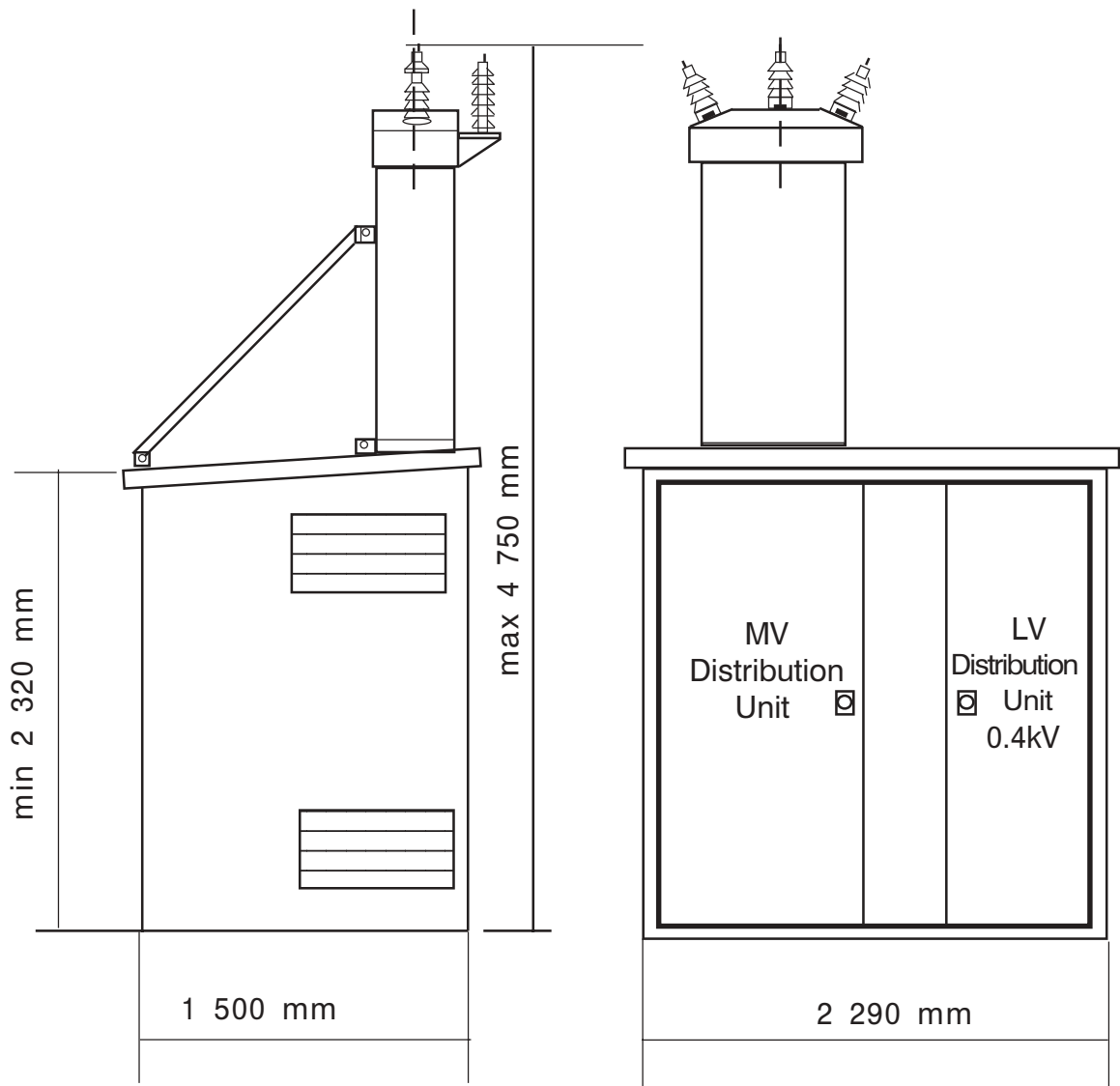
- 1. Air Input panel
- 2. Transformer Section  
Power Oil Transformer  
TM 20(10)/0,4kV- up to 800kVA
- 3. LV panel - 0,4/0,231kV
- 4. MV Section  
Disconnecter with fuses

**Area- 5,31 sq.m.**

Distribution Substation PKv 20(10)kV / up to 800 kVA  
 Sample Single Line Diagram

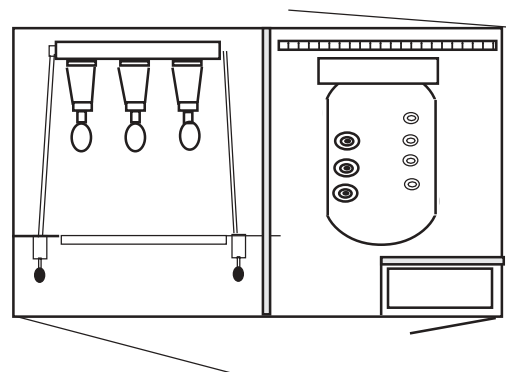


Transformer Substation - Kv 10,20/0.4 kV up to 100 kVA



- 1. Transformer Section  
Power Oil Transformer  
TM 10,20/0,4kV- 100kVA
- 2. LV panel - 0,4/0,231kV
- 3. MV Section  
Disconnecter with fuses
- 4. Air Input panel MV

Area- 3,44 sq.m.



Transformer Substation - P-Kv 10,20/0.4 kV up to 100 kVA

